

BNC Connectors

MBNC Series - Right Angle, Vertical, Surface Mount Receptical with Terminating Resistors and Filtering Capacitors	10-2
MBNC Series - Right Angle, Vertical, Terminators, and Filtered Board Level Connectors	10-5
MBNC-AT Series - Auto-Termination SMT Compatible PCB Mount Double Female Connector	10-6
MNF Series - Right Angle, F-Connector PCB Mount Receptical	10-8
MBNC Series - BNC Connector Right Angle PCB Mount Receptical	10-9
MBNC Series - BNC Connector Right Angle PCB Mount Receptical with LED Indicator	10-10
MNF Series - F-Connector, Right Angle, PCB Mount Receptical	10-11
MNF Series - F-Connector, Right Angle, PCB Mount Receptical with LED	10-12



MBNC Series

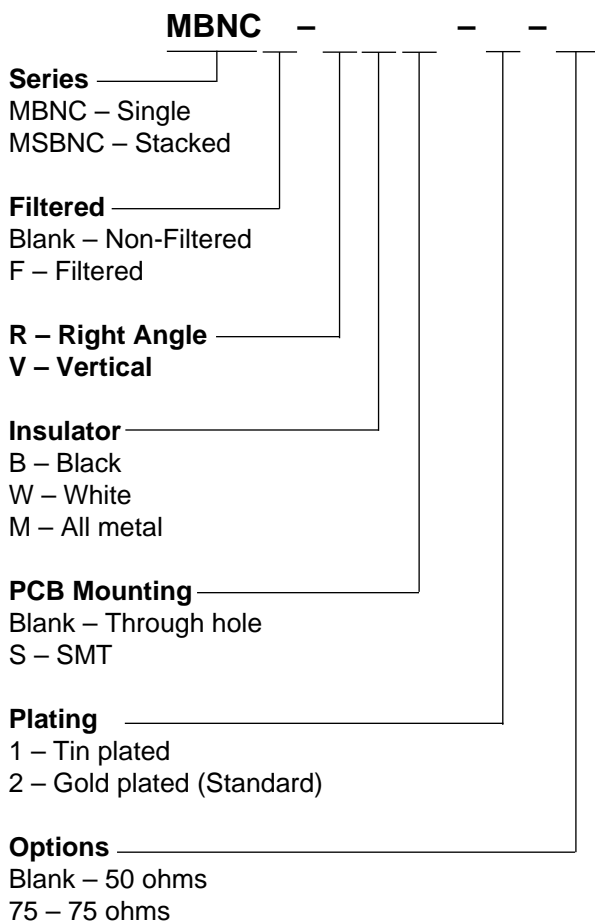
Right Angle, Vertical, Surface Mount Receptical with Terminating Resistors and Filtering Capacitors



FEATURES

- UL and CSA approved E107337 and E145613
- 50 and 75 ohm impedance
- 9400pF filtered option
- Terminating resistors

HOW TO ORDER



Performance Specifications

Materials and Finish

- Metal Housing:** 100 microinch minimum nickel plating over zinc alloy
- Contact:** Contact area 1---200 microinch tin/lead plating over
50 microinch nickel plating overall
- Plastic Insulator:** PBT UL94V-0 rated black or white
- Contact Insulator:** Polypropylene
- Mounting Post:** Tin plating over brass
- Grounding Terminal:** Tin plating over copper wire

Electrical Characteristics

- Impedance:** 75 ohm
- Frequency Range:** 50 ohms 0–1 GHz
75 ohms 0–4 GHz

- Operating Voltage:** 500 Volts RMS
- Contact Resistance:** 3.0 mohms maximum (gold)
- Dielectric Withstanding Voltage:** 1500 Volts RMS
- Insulation Resistance:** 5000 Megohms minimum

Mechanical Characteristics

- Durability:** 500 cycles/mated/unmated
- Ceramic Capacitor:** 4700PF @ 10% x 2 (9400PF)
- Resistive Value:** 1/2 Watt 5% 50, 75, and 93 ohms
- Operating Temperature:** -40° C to +85° C

Environmental Characteristics

- Temperature Range:** -50°C to +85°C
- Thermal Shock-Mill-Std:** 1344, Method 1033, Condition A
- Salt Spray-Mill-Std:** 1344, Method 1001, Condition B
- Physical Shock-Mill-Std:** 1344, Method 2004, Condition G
- Humidity-Mill-Std:** 1344, Method 1002, Procedure B Type 2

BNC CONNECTORS

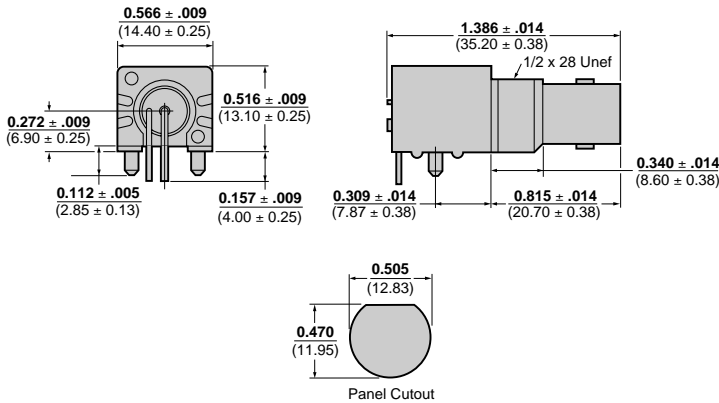
MAXCONN - (Back to Table of Contents)

MBNC-RW-1

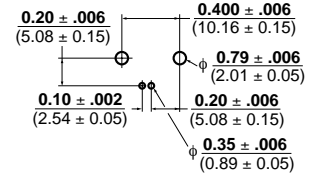
50 ohm, Right Angle, Low Profile

.516 Height, Thru Hole (White body) (Black optional)

DIMENSIONS



PCB LAYOUT

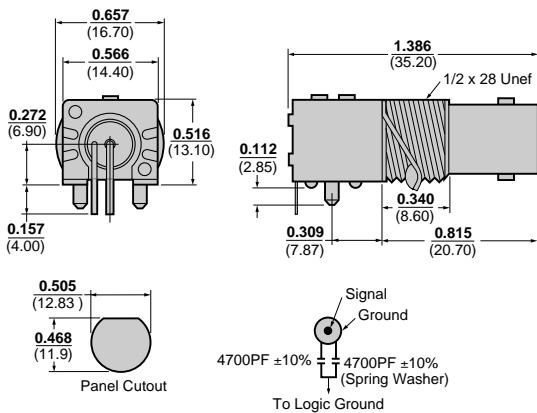


MBNCF-RB-2

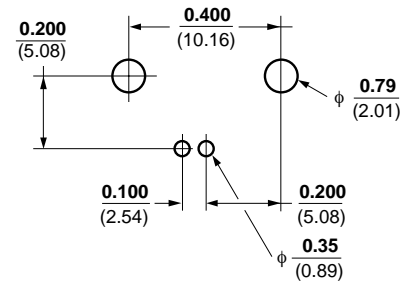
50 ohm, Right Angle, Filtered

9400pf, .516 Height, Thru Hole (Black body standard)

DIMENSIONS



PCB LAYOUT

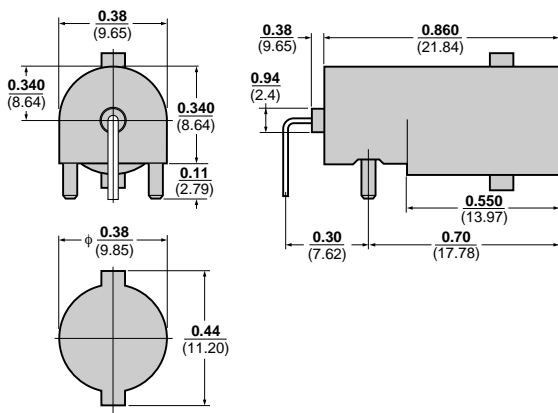


MBNC-R-1

50 ohm, Right Angle, Low Profile

.340 Height, Non-Insulated, Thru Hole

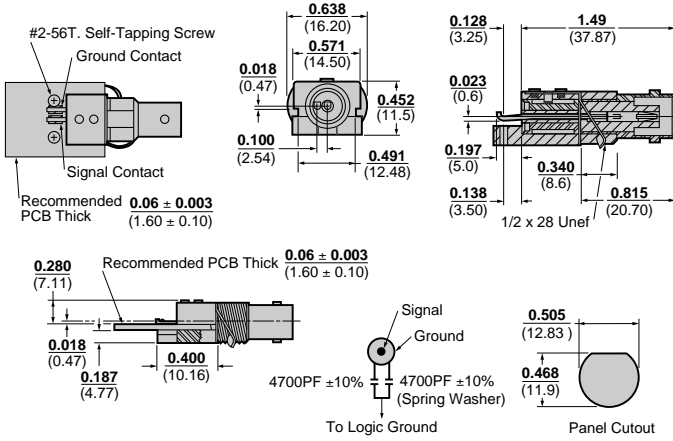
DIMENSIONS



BNC CONNECTORS

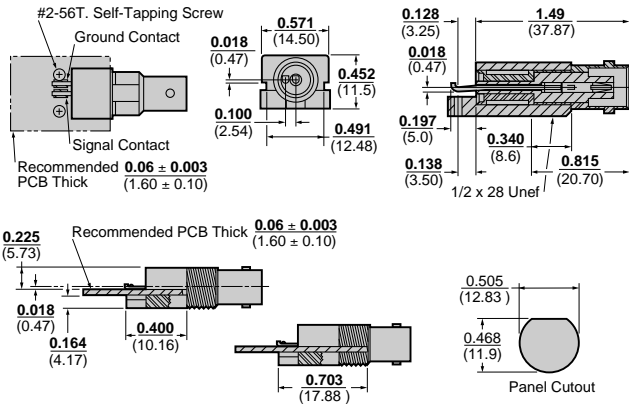
MBNCF-RBS-1 50 ohm, Filtered 9400pf .515 Height, Surface Mount (Black body)

DIMENSIONS



MBNCF-RBS-1 50 ohm, Right Angle .515 Height, Surface Mount (Black body)

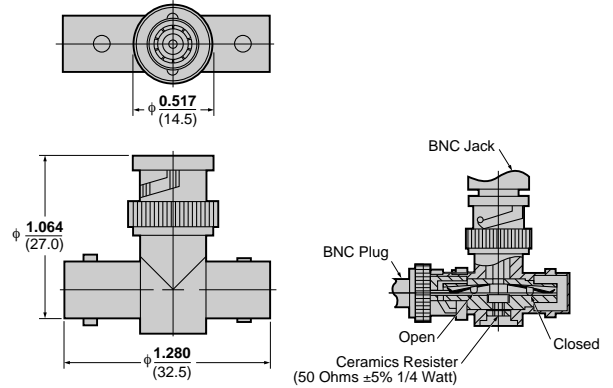
DIMENSIONS



MAXCONN - (Back to Table of Contents)

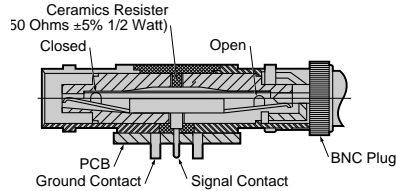
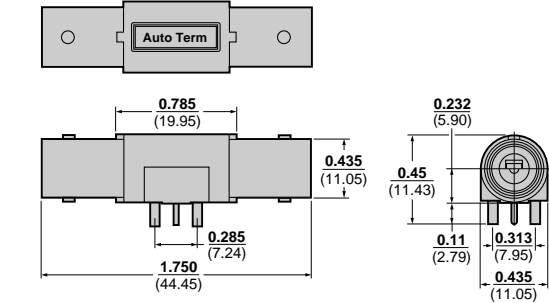
MBNC-T1 Series 50, 75, 93 ohm Adapter 'T', F-M-F

DIMENSIONS

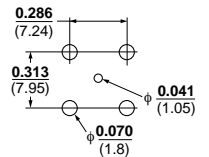


MBNC-TFF-1 50 ohm PCB 'T', F-F Adapter Terminator

DIMENSIONS



PCB LAYOUT



BNC CONNECTORS

MBNC Series Right Angle, Vertical, Terminators, and Filtered Board Level Connectors

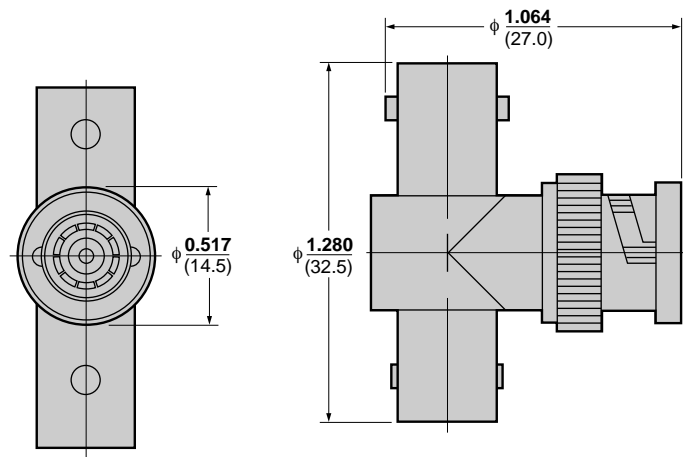


FEATURES

- UL and CSA approved E107337 and E145613
- 50 and 75 ohm impedance
- 9400pF filtered option
- Terminating resistors

MBNC-T-2 50 ohm 'T', F-M-F Adapter

DIMENSIONS



MAXCONN - [\(Back to Table of Contents\)](#)

Performance Specifications Materials and Finish

Housing/Shield: Nickel plated brass 100 microinch Insulator

Outer Body: Glass filled polyester UL90V-0

Inner Insulator: Polypropylene

Contact

Female Contact: Phosphor bronze, gold plated

Grounding Terminal: Nickel plated brass

Electrical Characteristics

Normal Impedance: 50 ohm

Insulation Resistance: 5000 Megohms minimum

Dielectric Withstanding Voltage: 1500 Vrms

Operating Voltage: 500 minimum

Contact resistance: 3.0 mohms maximum

Mechanical Characteristics

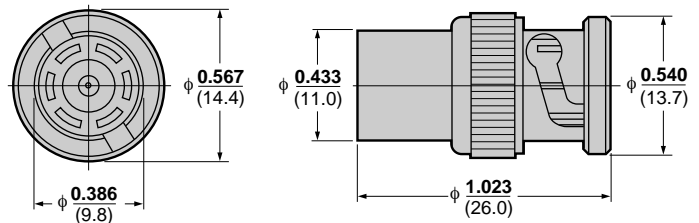
Durability: 500 mating cycles

Ceramic Capacitor: 4700PF @ 10% x 2 (9400PF)

Resistor Value: 1.2 Watt 5% 50, 75, Or 93 ohms

Operating Temperature: -40° C to + 125° C

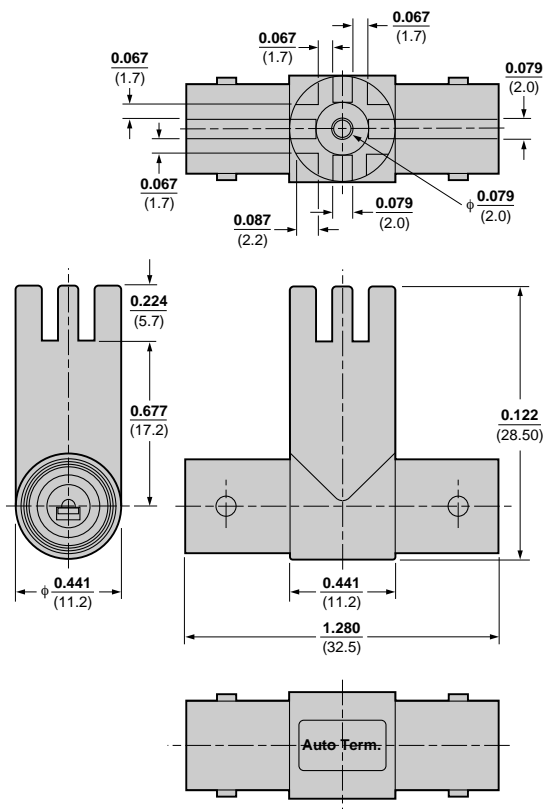
MBNC-2TT1 – 50 ohm 1/2 Watt 5% 75 ohm DIMENSIONS 93 ohm



MBNC-AT Series Auto-Termination SMT Compatible PCB Mount Double Female Connector



DIMENSIONS



Performance Specifications

Materials and Finish

- Body:** 100μ inch minimum nickel plating over zinc alloy
- Female Insulator:** Polypropylene UL 94HB
- Retention Insulator:** Teflon
- Male Contact:** Gold plating over brass
- Female Contact:** Gold plating over high strength copper
- Retention Washer:** Gold plating over copper wire
- Thick Film Chip Resistors:** 50 ohms ±1/4 Watt (max. over load voltage -400Vdc)
- Retention Washer:** Nickel plating over copper strip
- Retention Cover:** Nickel plating over Zinc alloy

Electrical Characteristics

- Normal Impedance:** 50 ohms
- Frequency Range:** 0~1GHz
- Operating Voltage:** 500 Vrms
- Contact Resistance:** 3.0 milliohms maximum
- Dielectric Withstanding Voltage:** 500 Vrms
- Insulation Resistance:** 5000 Megohms minimum
- Ceramic Resistor:** Thick film chip resistors: 50 ohms ±5%, 1.4 Watt

Voltage Rating

$$E = \sqrt{PR}$$

E=Voltage Rating (V)

P=Power Rating at 70°C (W)

R=Standard Resistance Values (Ω)

Mechanical Characteristics

Mating/Unmating: 500 cycles

Environmental Characteristics

Temperature Rating: -55° C to + 85° C

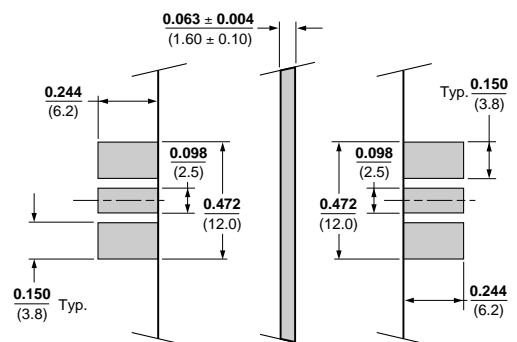
Thermal Shock: MIL-STD-1344, Method 1003, Cond. A

Salt Spray: MIL-STD-1344, Method 1001, Cond. B

Physical Shock: MIL-STD-1344, Method 2004, Cond. G

Humidity: MIL-STD-1344, Method 1002, Cond. B (type 2)

PCB LAYOUT

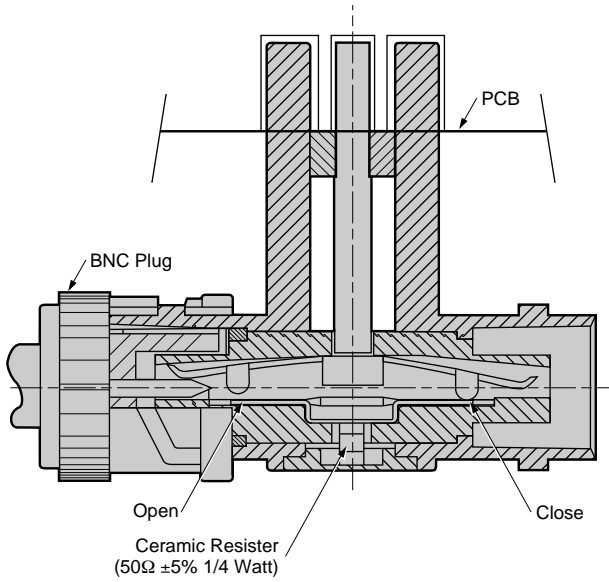


BNC CONNECTORS

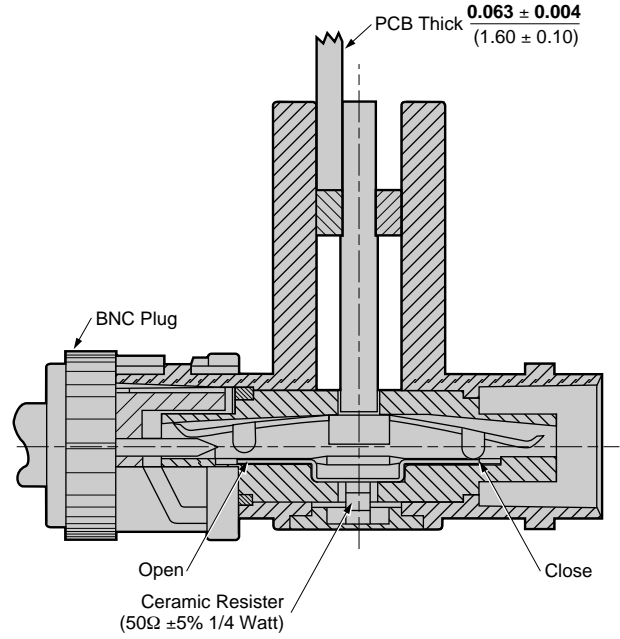
MAXCONN - [\(Back to Table of Contents\)](#)

MBNC-AT Series Auto-Termination, SMT-Compatible PCB Mount Double Female Connector

USED HORIZONTAL



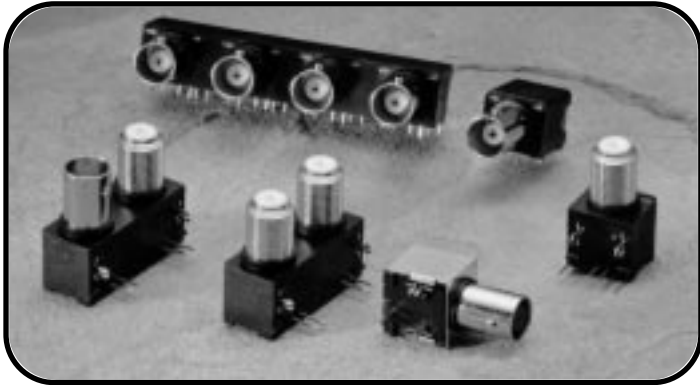
USED VERTICAL



MBNC Series

BNC Connector Right Angle

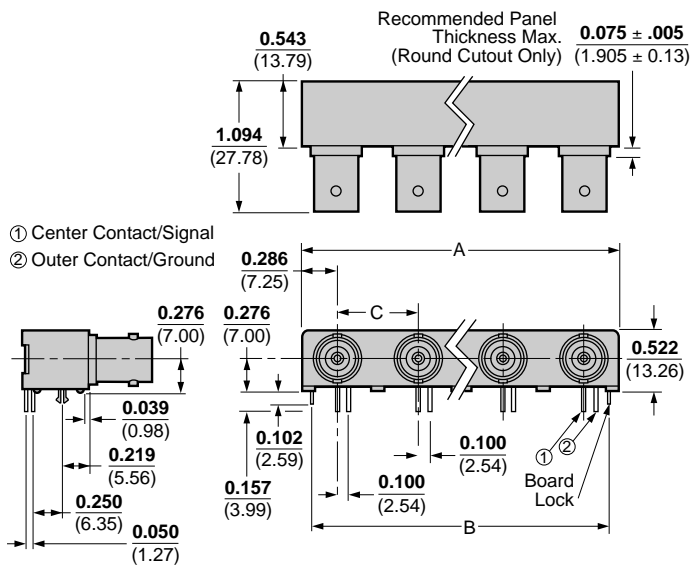
PCB Mount Receptical



FEATURES

- UL and CSA approved E107337 and E145613
- Low profile
- Space saving
- High frequency

DIMENSIONS



Performance Specifications

Materials and Finish

Contact: Contact area 100–200 microinch tin/lead plating over 50 microinch nickel plating overall

Ground Terminal: Tin plating over copper wire

Threaded Body: 100 microinch minimum nickel plating over zinc alloy

Insulator: Polypropylene UL 94HB

Housing: PBT (UL 94V-O)

Mounting Post: Tin plating over brass

Electrical Characteristics

Normal Impedance: Non-constant

Frequency Range: 0–2GHz

Operating Voltage: 250 Vrms

Contact Resistance: 3.0 milliohms maximum (gold)

Dielectric Withstanding Voltage: 1500 Vrms

Insulation Resistance: 5000 Megohms minimum

Mechanical Characteristics

Durability: 500 cycles/mated/unmated

Contact Separation Force: 1.0 kg minimum (total connector)

Contact Engagement Force: 1.27 kg maximum (total connector)

Environmental Characteristics

Temperature Rating: -55° C to + 85° C

Thermal Shock: MIL-STD-1344, Method 1003, Cond. A

Salt Spray: MIL-STD-1344, Method 1001, Cond. B

Physical Shock: MIL-STD-1344, Method 2004, Cond. G

Humidity: MIL-STD-1344, Method 1002, Cond. B (type 2)

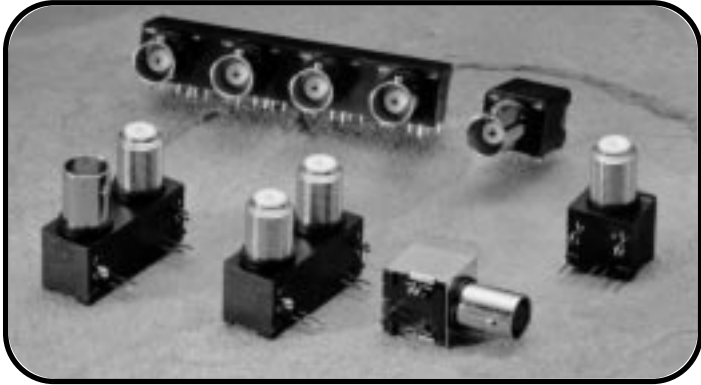
Ports	A	B	C
1	0.571 14.50	0.400 10.16	—
2	1.272 32.31	1.10 27.97	0.701 17.81
4	2.67 68.89	2.50 63.53	0.701 17.81

MBNC Series

BNC Connector Right Angle

PCB Mount Receptical

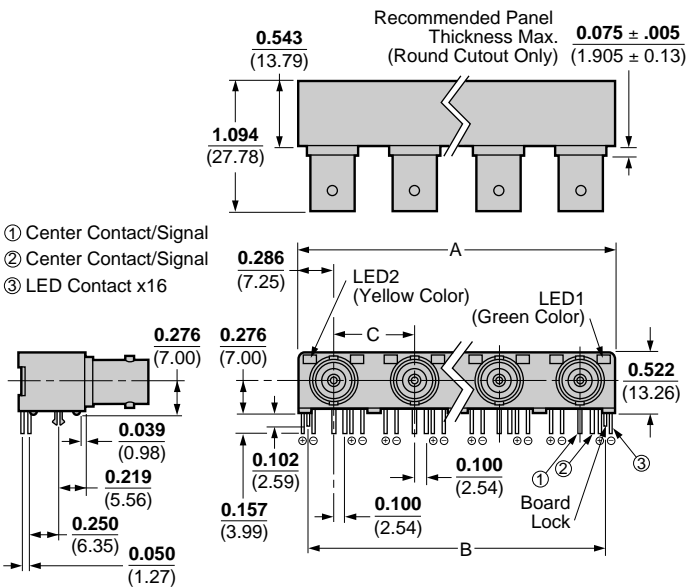
With LED Indicator



FEATURES

- UL and CSA approved E107337 and E145613
- Low profile
- Space saving
- High frequency
- Optional LED

DIMENSIONS



Performance Specifications

Materials and Finish

Contact: Contact area 100–200 microinch tin/lead plating over 50 microinch nickle plating overall

Ground Terminal: Tin plating over copper wire

Threaded Body: 100 microinch minimum nickel plating over zinc alloy

Insulator: Polypropylene UL 94HB

Housing: PBT (UL 94V-0)

Mounting Post: Tin plating over brass

Electrical Characteristics

Normal Impedance: Non-constant

Frequency Range: 0–2GHz

Operating Voltage: 250 Vrms

Contact Resistance: 3.0 milliohms maximum (gold)

Dielectric Withstanding Voltage: 1500 Vrms

Insulation Resistance: 5000 Megohms minimum

Mechanical Characteristics

Durability: 500 cycles/mated/unmated

Contact Separation Force: 1.0 kg minimum (total connector)

Contact Enganement Force: 1.27 kg maximum (total connector)

Enivonmental Characteristics

Temperature Rating: -55° C to + 85° C

Thermal Shock: MIL-STD-1344, Method 1003, Cond. A

Salt Spray: MIL-STD-1344, Method 1001, Cond. B

Physical Shock: MIL-STD-1344, Method 2004, Cond. G

Hunidity: MIL-STD-1344, Method 1002, Cond. B (type 2)

Optional LED Characteristics

LED: Yellow LED: GaASP/GaP

Green LED: GaP

Luninous Intensity(mcd):

The maximum for 10mA is 1.25 Vs

The minimum for 10mA is 0.5 Vs

Wavelength (nm):

LED1 green: 565 nm

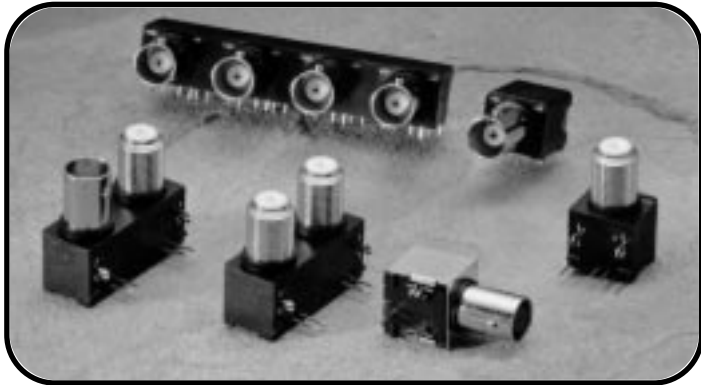
LED2 yellow: 590 nm

Viewing Angle: 2θ1/2: 110°

Ports	A	B	C
1	0.571 14.50	0.400 10.16	— —
2	1.272 32.31	1.10 27.97	0.701 17.81
4	2.67 68.89	2.50 63.53	0.701 17.81

MNF Series

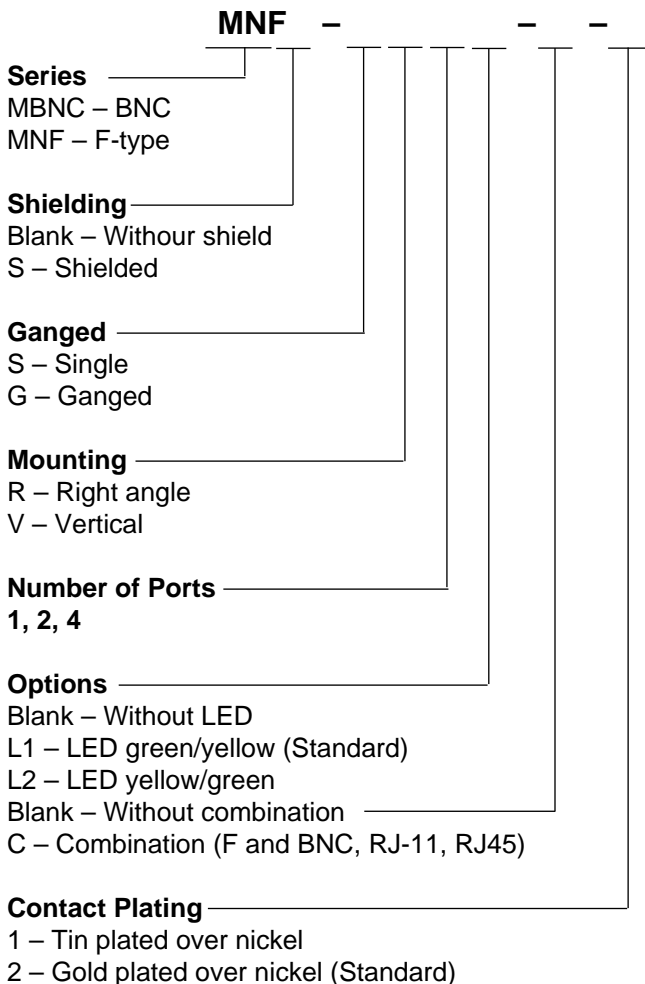
Right Angle, F-Connector PCB Mount Receptical



FEATURES

- UL and CSA approved E107337 and E145613
- 50 and 75 ohm impedance
- 9400pF filtered option
- Terminating resistors

HOW TO ORDER



Performance Specifications

Materials and Finish

Contact: Contact area 100–200 microinch tin/lead plating over 50 microinch nickel plating overall

Ground Terminal: Tin plating over copper wire

Threaded Body: 100 microinch minimum nickel plating over zinc alloy

Insulator: Polypropylene UL 94HB

Housing: PBT (UL 94V-O)

Mounting Post: Tin plating over brass

Electrical Characteristics

Normal Impedance: Non-constant

Frequency Range: 0–2GHz

Operating Voltage: 250 Vrms

Contact Resistance: 3.0 milliohms maximum (gold)

Dielectric Withstanding Voltage: 1500 Vrms

Insulation Resistance: 5000 Megohms minimum

Mechanical Characteristics

Durability: 500 cycles/mated/unmated

Contact Separation Force: 1.0 kg minimum (total connector)

Contact Engagement Force: 1.27 kg maximum (total connector)

Environmental Characteristics

Temperature Rating: -55° C to + 85° C

Thermal Shock: MIL-STD-1344, Method 1003, Cond. A

Salt Spray: MIL-STD-1344, Method 1001, Cond. B

Physical Shock: MIL-STD-1344, Method 2004, Cond. G

Humidity: MIL-STD-1344, Method 1002, Cond. B (type 2)

Optional LED Characteristics

LED: Yellow LED: GaASP/GaP

Green LED: GaP

Luminous Intensity(mcd):

The maximum for 10mA is 1.25 Vs

The minimum for 10mA is 0.5 Vs

Wavelength (nm):

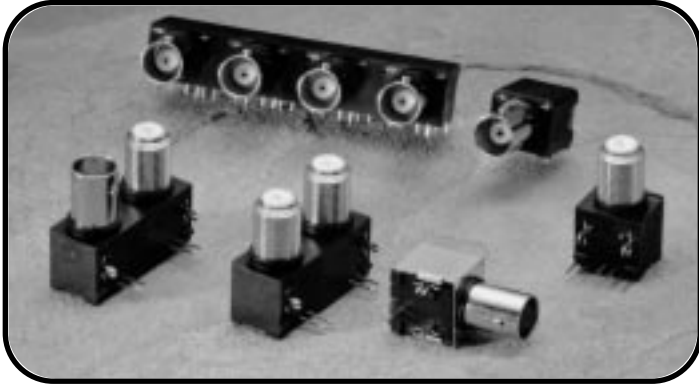
LED1 green: 565 nm

LED2 yellow: 590 nm

Viewing Angle: 2θ1/2: 110°

MNF Series

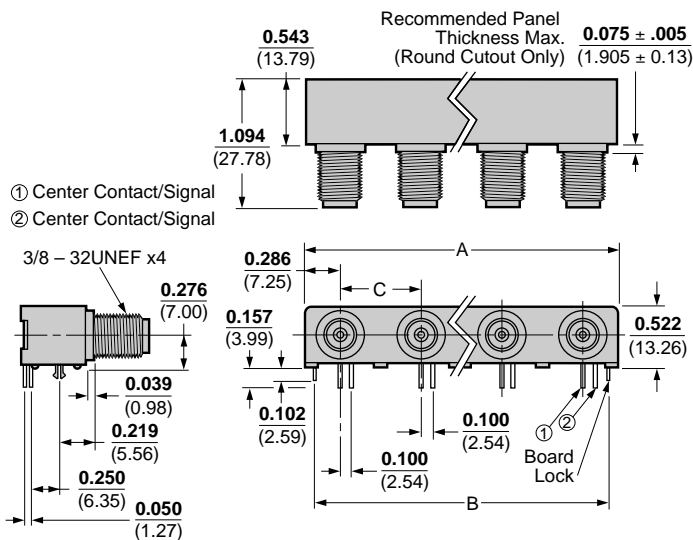
F-Connector, Right Angle, PCB Mount Receptical



FEATURES

- UL and CSA approved E107337 and E145613
- Low profile
- Space saving
- High frequency
- Optional LED

DIMENSIONS



Performance Specifications

Materials and Finish

Contact: Contact area 100–200 microinch tin/lead plating over 50 microinch nickle plating overall

Ground Terminal: Tin plating over copper wire

Threaded Body: 100 microinch minimum nickel plating over zinc alloy

Insulator: Polypropylene UL 94HB

Housing: PBT (UL 94V-O)

Mounting Post: Tin plating over brass

Electrical Characteristics

Normal Impedance: Non-constant

Frequency Range: 0~2GHz

Operating Voltage: 250 Vrms

Contact Resistance: 3.0 milliohms maximum (gold)

Dielectric Withstanding Voltage: 1500 Vrms

Insulation Resistance: 5000 Megohms minimum

Mechanical Characteristics

Durability: 500 cycles/mated/unmated

Contact Separation Force: 1.0 kg minimum (total connector)

Contact Enganement Force: 1.27 kg maximum (total connector)

Environmental Characteristics

Temperature Rating: -55° C to + 85° C

Thermal Shock: MIL-STD-1344, Method 1003, Cond. A

Salt Spray: MIL-STD-1344, Method 1001, Cond. B

Physical Shock: MIL-STD-1344, Method 2004, Cond. G

Humidity: MIL-STD-1344, Method 1002, Cond. B (type 2)

Optional LED Characteristics

LED: Yellow LED: GaASP/GaP

Green LED: GaP

Luninous Intensity(mcd):

The maximum for 10mA is 1.25 Vs

The minimum for 10mA is 0.5 Vs

Wavelength (nm):

LED1 green: 565 nm

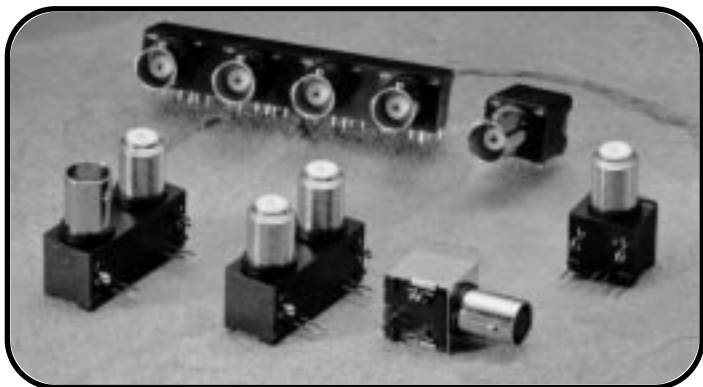
LED2 yellow: 590 nm

Viewing Angle: 201/2: 110°

Ports	A	B	C
1	0.571 14.50	0.400 10.16	— —
2	1.272 32.31	1.10 27.97	0.701 17.81
4	2.67 68.89	2.50 63.53	0.701 17.81

MNF Series

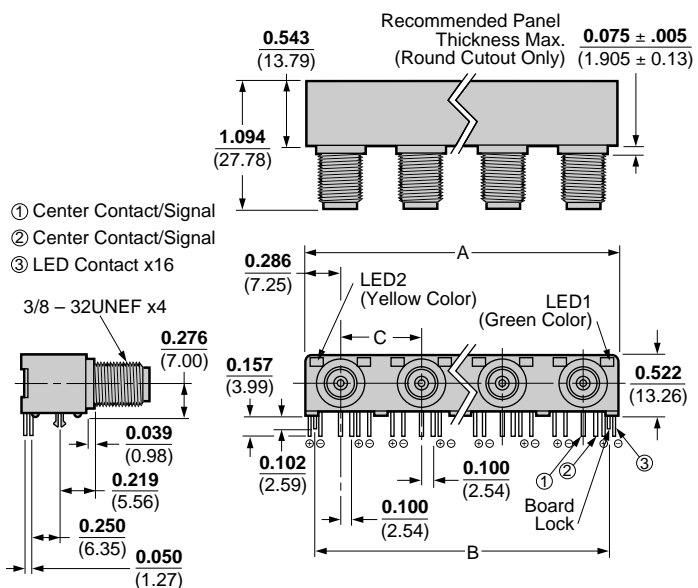
F-Connector, Right Angle, PCB Mount Receptical with LED



FEATURES

- UL and CSA approved E107337 and E145613
- Low profile
- Space saving
- High frequency
- Optional LED

DIMENSIONS



Performance Specifications

Materials and Finish

Contact: Contact area 100–200 microinch tin/lead plating over 50 microinch nickel plating overall

Ground Terminal: Tin plating over copper wire

Threaded Body: 100 microinch minimum nickel plating over zinc alloy

Insulator: Polypropylene UL 94HB

Housing: PBT (UL 94V-0)

Mounting Post: Tin plating over brass

Electrical Characteristics

Normal Impedance: Non-constant

Frequency Range: 0–2GHz

Operating Voltage: 250 Vrms

Contact Resistance: 3.0 milliohms maximum (gold)

Dielectric Withstanding Voltage: 1500 Vrms

Insulation Resistance: 5000 Megohms minimum

Mechanical Characteristics

Durability: 500 cycles/mated/unmated

Contact Separation Force: 1.0 kg minimum (total connector)

Contact Engagement Force: 1.27 kg maximum (total connector)

Environmental Characteristics

Temperature Rating: -55° C to + 85° C

Thermal Shock: MIL-STD-1344, Method 1003, Cond. A

Salt Spray: MIL-STD-1344, Method 1001, Cond. B

Physical Shock: MIL-STD-1344, Method 2004, Cond. G

Humidity: MIL-STD-1344, Method 1002, Cond. B (type 2)

Optional LED Characteristics

LED: Yellow LED: GaASP/GaP

Green LED: GaP

Luminous Intensity(mcd):

The maximum for 10mA is 1.25 Vs

The minimum for 10mA is 0.5 Vs

Wavelength (nm):

LED1 green: 565 nm

LED2 yellow: 590 nm

Viewing Angle: 2θ1/2: 110°

Ports	A	B	C
1	0.571 14.50	0.400 10.16	— —
2	1.272 32.31	1.10 27.97	0.701 17.81
4	2.67 68.89	2.50 63.53	0.701 17.81